



Short Description



- Nickel plated alloy steel IP67 dual shear beam load cell
- High accuracy
- Suitable for onboard, truck and rail scales and other other heavy weighing devices such as silos
- Sealed construction



Test certificate no. D09-07.07



Certificate no. 07-018A1

Available Models

Capacity	Accuracy	Full Article Description
5Klb	C3/C4	H9C-C3/C4-5K-9B
10Klb	C3/C4	H9C-C3/C4-10K-9B
20Klb	C3/C4	H9C-C3/C4-20K-9B
30Klb	C3	H9C-C3-30K-9B
40Klb	C3	H9C-C3-40K-9B
50Klb	C3	H9C-C3-50K-9B
60Klb	C3	H9C-C3-60K-9B
75Klb	C3	H9C-C3-75K-9B
100Klb	C3	H9C-C3-100K-9B
150Klb	C3	H9C-C3-150K-9B
200Klb	C3	H9C-C3-200K-9B
250Klb	C3	H9C-C3-250K-9B

Technical Specifications H9C

Accuracy Class		OIML R60 C3		OIML R60 C4		
Output Sensitivity (= FS)	mV/V	3.0 ± 0.008				
Maximum Capacity (E _{max})	Klb	5, 10, 20, 30, 40, 50, 60, 75, 100, 150, 200, 250		5, 10, 20		
Max. Number of Load Cell Intervals	n _{LC}	3000		4000		
Ratio of min. LC Verification Interval	Y = E _{max} / V _{min}	10000		14000		
Combined Error	%FS	≤± 0.020		≤± 0.0175		
Creep Error (30 minutes)	%FS	≤± 0.016		≤± 0.012		
Temperature Effect on Zero (ZTC)	%FS/10°C	≤± 0.015		≤± 0.010		
Temperature Effect on Sensitivity (STC)	%FS/10°C	≤± 0.011		≤± 0.009		
Zero Balance	%FS	≤± 1.0				
Safe Overload	%FS	150				
Ultimate Overload	%FS	300				
Excitation, Recommended Voltage	V	5 ~ 12				
Excitation, Maximum Voltage	V	18				
Input Resistance	Ω	700 ± 7				
Output Resistance	Ω	703 ± 4				
Insulation Resistance (50V)	MΩ	≥5000				
Compensated Temperature	°C	-10 ~ + 40				
Operating Temperature	°C	-35 ~ + 65				
Storage Temperature	°C	-40 ~ + 70				
Load Cell Weight	kg	5-20Klb: ~2.2	30-70Klb: ~8.4	100Klb: 12.2	150Klb: 15.1	200-250Klb: 44.6
Element Material		Nickel plated alloy steel				
Ingress Protection (acc. to EN 60529)		IP67				
Recommended Torque on Fixation Bolts	Nm	M16: 240		M24: 820		M36: 2850*
ATEX Classification (optional)		II 1G Ex ia IIC T4 Ga		II 1D Ex ia IIIC T ₂₀₀ 135°C Da		II 3G Ex ic IIC T4 Gc

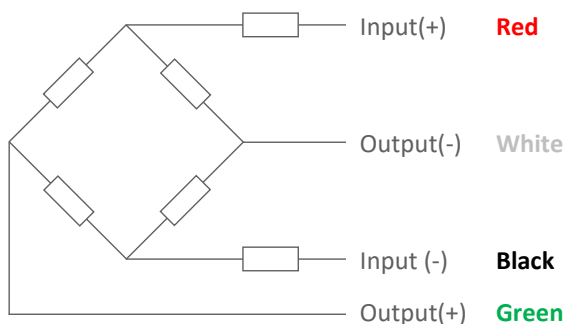
* = Recommended bolt strength: Grade 10.9

Wiring

Features:

Cable type: Shielded, 4 conductor cable , conductor AWG 21
 Cable diameter: Ø 5mm for 5Klb – 20Klb, Ø 8mm for 30Klb – 250Klb
 Cable length: 9m
 Cable jacket: Polyurethane
 Shield not connected to element

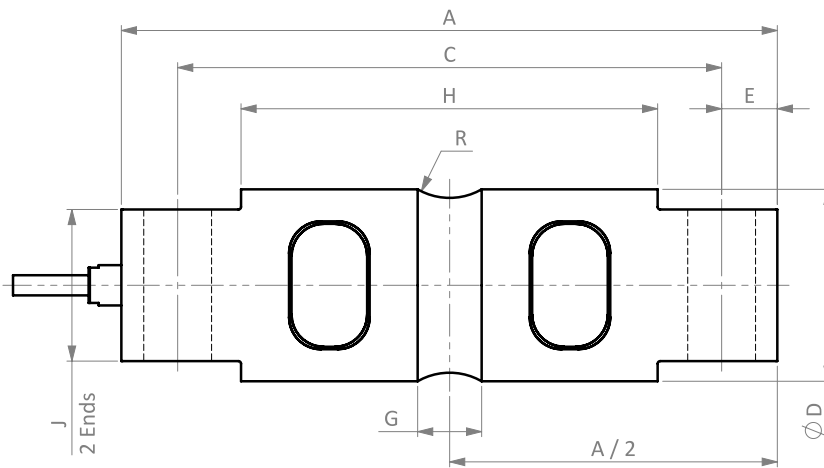
4-Wire Connection Diagram



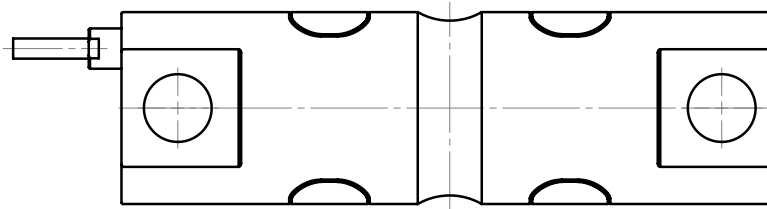
Specifications and dimensions are subject to change without notice and do not constitute any liability whatsoever.

Dimensions in mm

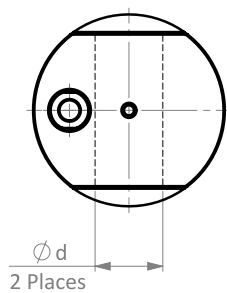
Front View



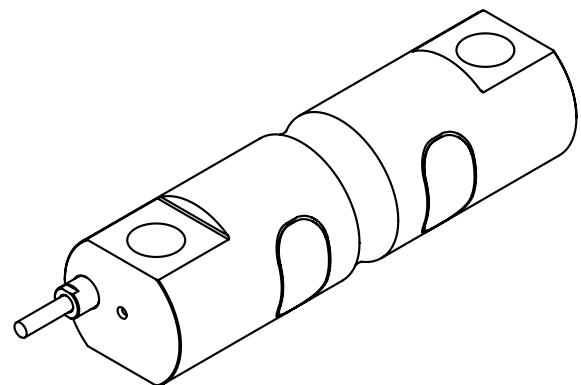
Top View



Side View



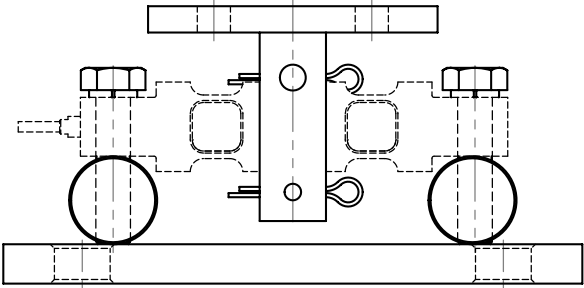
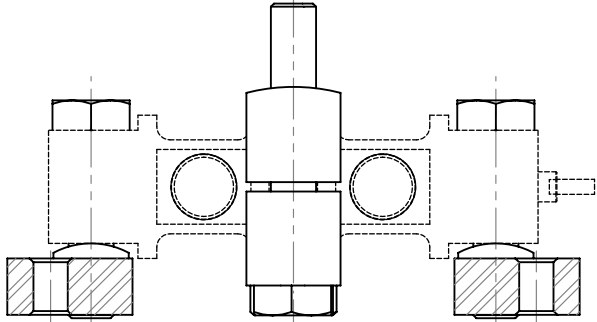
Isometric View



Dimension Capacity	A	C	H	G	ØD	J	Ød	R	E
5Klb, 10Klb	206.2	174.6	133.1	15.7	43.2	28.4	16.7	12.7	15.7
15Klb, 20Klb	206.2	174.6	133.1	21.3	49.5	28.4	16.7	12.7	15.7
30Klb-75Klb	260.4	215.9	165.1	25.4	76.2	60.2	26.9	25.4	22.4
90Klb, 100Klb	285.8	241.3	190.2	31.0	88.9	63.5	26.9	38.1	22.4
150Klb	285.8	241.3	190.2	31.0	99.1	71.1	26.9	38.1	22.4
200Klb, 250Klb	408.9	330.3	254	31.7	136.6	116.8	39.6	50.8	39.4

Specifications and dimensions are subject to change without notice and do not constitute any liability whatsoever.

Available Accessories

<p>HM-9-401-5-250Klb Mount</p> <ul style="list-style-type: none">• Easy installation• Compact construction• Self-aligning• Anti-reversal ability• Alloy steel• Using under heavy static or slight dynamic load• Imperial dimensions	
<p>HM-9-405-30-75Klb Mount</p> <ul style="list-style-type: none">• Alloy steel• No horizontal movement	
<p>HM-9-409-5-20Klb</p> <ul style="list-style-type: none">• Easy installation• Compact construction• Self-aligning• Anti-reversal ability• Alloy steel• Using under heavy static or slight dynamic load• Metric dimensions	