



Short Description



- Nickel plated alloy steel IP68 dual shear beam load cell
- High accuracy
- Suitable for onboard, truck and rail scales and other heavy weighing devices such as silos
- Hermetically sealed
- Optimized for better mechanical shock load resistance



Test certificate no. D09-06.46

Available Models

Capacity	Accuracy	Full Article Description
10Klb	C3	HM9C-C3-10K-9B
20Klb	C3	HM9C-C3-20K-9B
30Klb	C3	HM9C-C3-30K-9B
40Klb	C3	HM9C-C3-40K-9B
50Klb	C3	HM9C-C3-50K-9B
60Klb	C3	HM9C-C3-60K-9B
75Klb	C3	HM9C-C3-75K-9B

Specifications and dimensions are subject to change without notice and do not constitute any liability whatsoever.

Technical Specifications HM9C

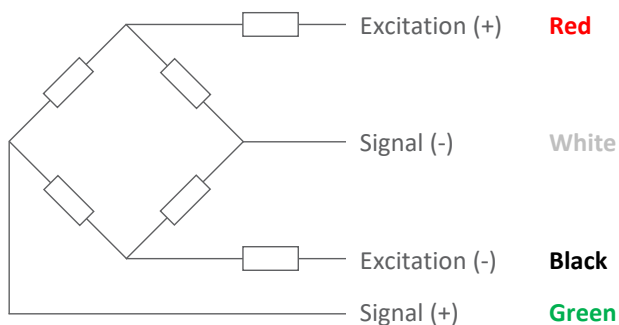
Accuracy Class		OIML R60 C3		
Output Sensitivity (= FS)	mV/V	3.0 ± 0.008		
Maximum Capacity (E _{max})	Klb	10, 20, 30, 40, 50, 60, 75		
Max. Number of Load Cell Intervals	n _{LC}	3000		
Ratio of min. LC Verification Interval	$Y = E_{max} / V_{min}$	10000		
Combined Error	%FS	≤± 0.020		
Creep Error (30 minutes)	%FS	≤± 0.016		
Temperature Effect on Zero (ZTC)	%FS/10°C	≤± 0.015		
Temperature Effect on Sensitivity (STC)	%FS/10°C	≤± 0.011		
Zero Balance	%FS	≤± 1.0		
Safe Overload	%FS	150		
Ultimate Overload	%FS	300		
Excitation, Recommended Voltage	V	5 ~ 12		
Excitation, Maximum Voltage	V	18		
Input Resistance	Ω	700 ± 7		
Output Resistance	Ω	703 ± 4		
Insulation Resistance (50V)	MΩ	≥5000		
Compensated Temperature	°C	-10 ~ + 40		
Operating Temperature	°C	-35 ~ + 65		
Storage Temperature	°C	-40 ~ + 80		
Load Cell Weight	kg	8.12		
Element Material		Nickel plated alloy steel		
Ingress Protection (acc. to EN 60529)		IP68		
Recommended Torque on Fixation Bolts	Nm	10 – 20Klb: 240	30 – 75Klb: 910	
ATEX Classification (optional)		II 1G Ex ia IIC T4 Ga	II 1D Ex ia IIIC T ₂₀₀ 135°C Da	II 3G Ex ic IIC T4 Gc

Wiring

Features:

Cable type: Shielded, 4 conductor cable , conductor AWG 22
 Cable diameter: Ø 5mm for 10Klb – 20Klb, Ø 8mm for 30Klb – 75Klb
 Cable length: 9m
 Cable jacket: Polyurethane
 Shield not connected to element

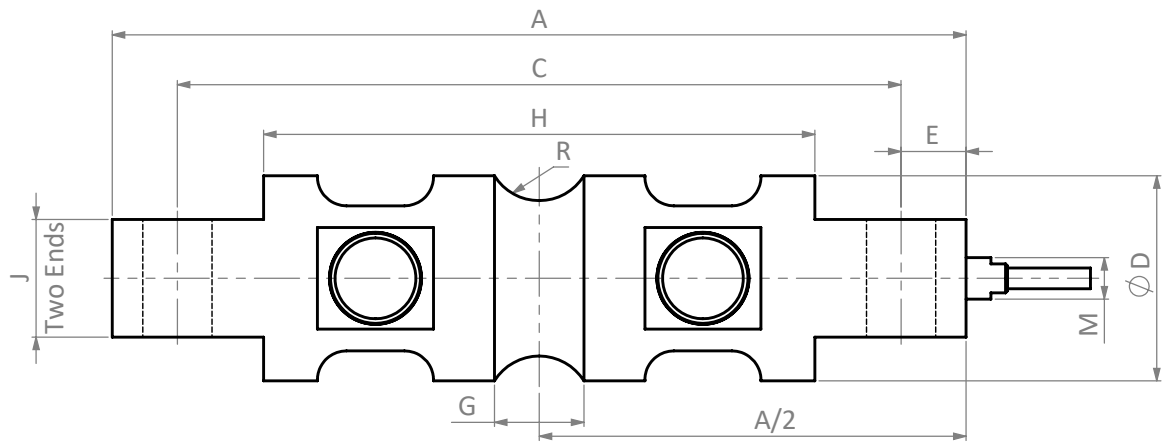
4-Wire Connection Diagram



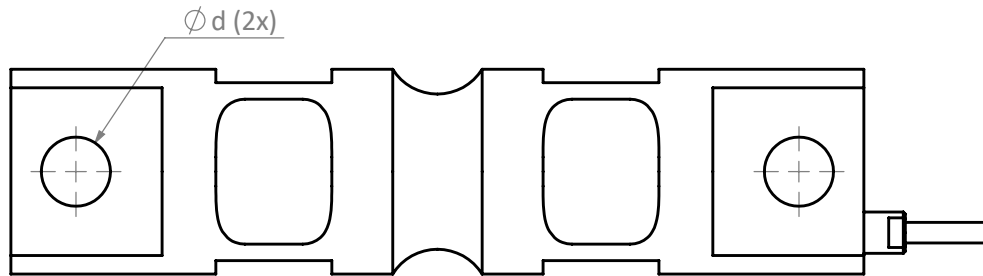
Specifications and dimensions are subject to change without notice and do not constitute any liability whatsoever.

Dimensions in mm

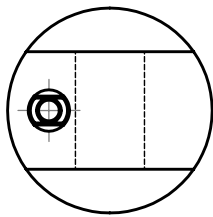
Front View



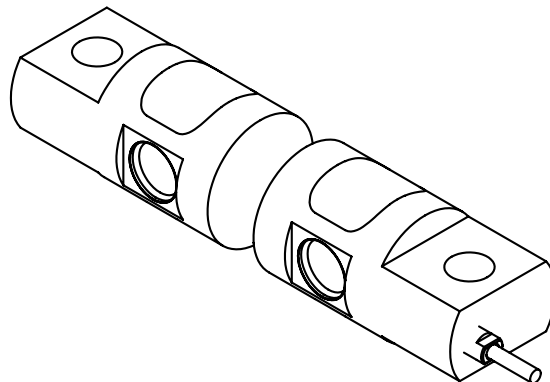
Top View



Side View



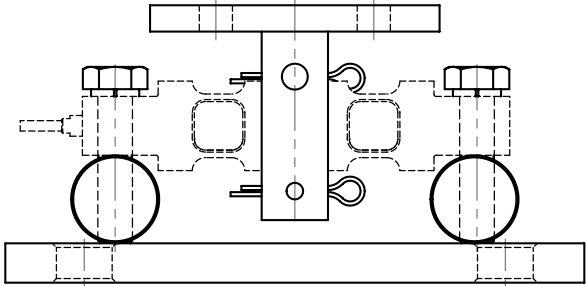
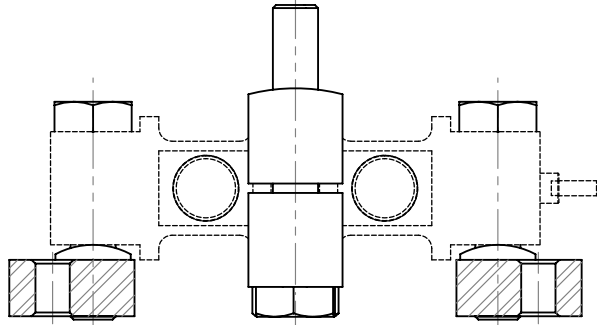
Isometric View



Dimension Capacity	A	C	H	G	ØD	J	Ød	R	E	M
10Klb	206.2	174.6	133.1	15.7	43.2	28.4	16.7	12.7	15.7	3/8-18 UNF-2B
15Klb, 20Klb	206.2	174.6	133.1	21.3	49.5	28.4	16.7	12.7	15.7	3/8-18 UNF-2B
30Klb-75Klb	260.4	215.9	165.1	25.4	76.2	60.2	26.9	25.4	22.4	3/8-18 UNF-2B

Specifications and dimensions are subject to change without notice and do not constitute any liability whatsoever.

Available Accessories

<p>HM-9-401-5-250Klb Mount</p> <ul style="list-style-type: none"> • Easy installation • Compact construction • Self-aligning • Anti-reversal ability • Alloy steel • Using under heavy static or slight dynamic load • Imperial dimensions 	
<p>HM-9-405-30-75Klb Mount</p> <ul style="list-style-type: none"> • Alloy steel • No horizontal movement 	
<p>HM-9-409-5-20Klb</p> <ul style="list-style-type: none"> • Easy installation • Compact construction • Self-aligning • Anti-reversal ability • Alloy steel • Using under heavy static or slight dynamic load • Metric dimensions 	