

Short Description

- Rigid mounting of load cell
- No horizontal movement
- Nickel plated alloy steel
- Can be used with load cell models: H9C, HM9C and B9C

Available Models

Model	Capacity	Full Article Description	Part Number
HM-9-401	5Klb – 20Klb	HM-9-401-5/20K	20900100
	30Klb – 75Klb	HM-9-401-30/75K	20900200
	100Klb	HM-9-401-100K	20900300
	150Klb	HM-9-401-150K	20900400
	200Klb – 250Klb	HM-9-401-200/250K	20900500

Technical Specifications HM-9-401

Capacity	Maximum Capacities			
Safe overload	150% of Emax			
Overload	300% of Emax			
Off-centre loading	40% of Emax			
Anti-side loading	20% of Emax			
Vertical lifting (in K:K)	5-20: 3.3	30-75: 11	100-150: 16.5	200-250: 68
Radial movement (in K:mm)	5-20: ±5	30-75: ±5	100-150: ±5	200-250: ±5

Bolt Specification and Recommended Torque

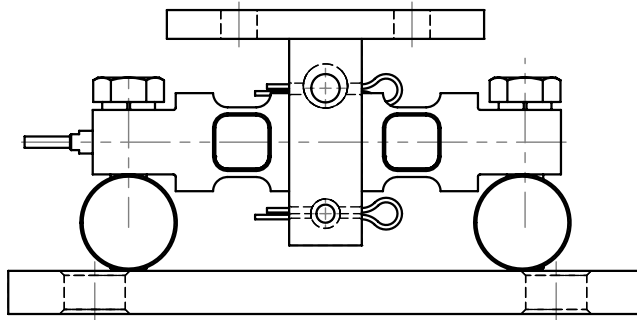
Model	Capacity	Bolts	Recommended Torque in Nm
HM-9-401	5Klb – 20Klb	5/8-11UNC-2B L=89	20N.m
	30Klb – 75Klb	1-8UNC-2B L=152.4	25N.m
	100Klb	1-8UNC-2B L=152.4	25N.m
	150Klb	1-8UNC-2B L=152.4	25N.m
	200Klb – 250Klb	3/2-6UNC-2B L=241.3	30N.m

Specifications and dimensions are subject to change without notice and do not constitute any liability whatsoever.

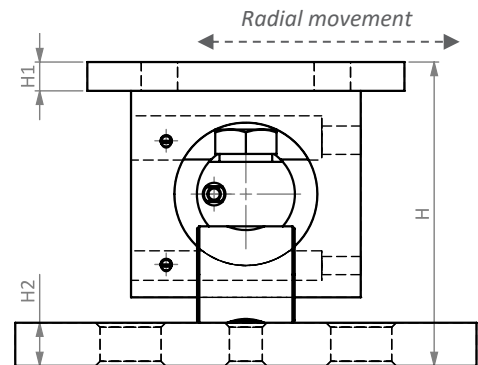
Type HM-9-401 Mount

Dimensions in mm

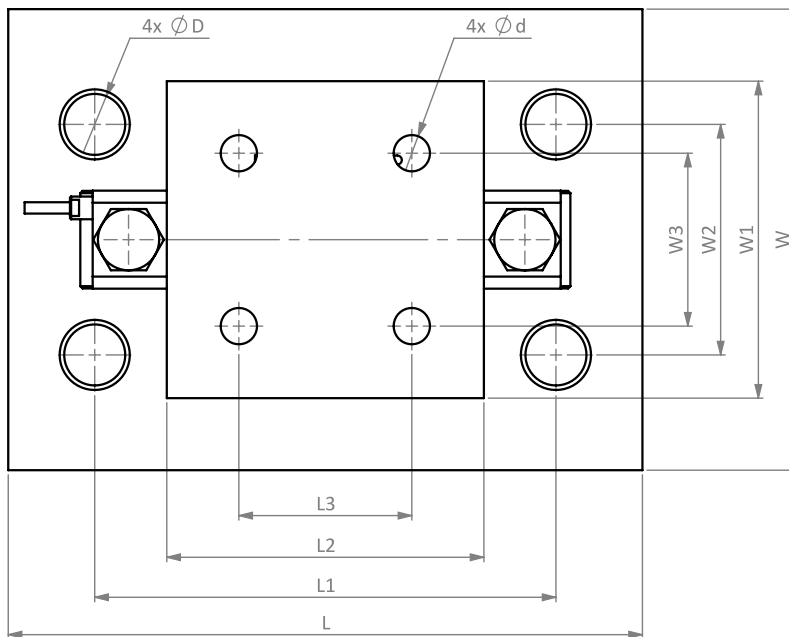
Front View



Side View



Top View



Dimension Capacity	L	L1	L2	L3	W	W1	W2	W3	H	H1	H2	ØD	Ød
5 – 20K	279.4	203.2	139.7	76.2	203.2	139.7	101.6	76.2	139.2	12.7	19	26.9	16
30 – 75K	381	292.1	203.2	130.3	254	203.2	152.4	130.3	214.1	19.1	25	31	19.1
100 – 150K	457.2	355.6	254	190.5	304.8	254	228.6	190.5	246	31.8	31.8	35.1	20.6
200 – 250K	660.4	508	304.8	228.6	304.8	304.8	152.4	228.6	400	50.8	50.8	47.8	26.9

Specifications and dimensions are subject to change without notice and do not constitute any liability whatsoever.