



## Short Description

- Height adjustable foot
- Easy installation
- Stainless steel 2Cr13
- Can be used with load cell models: B8Q-W6

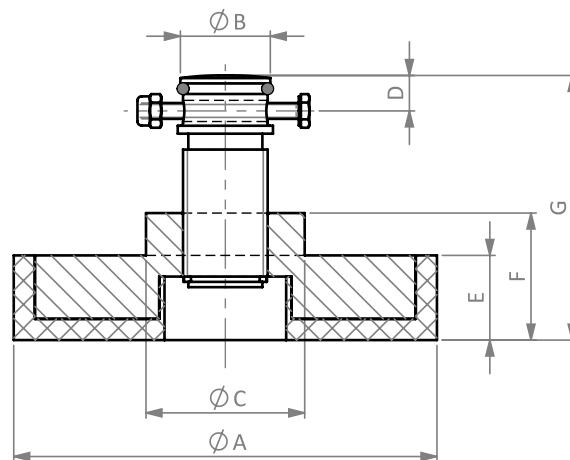
## Available Models

Model	Capacity	Full Article Description	Part Number
BJ-8-250	200kg	BJ-8-250-200kg T-end foot (B8Q-W6)	20801270
	0.5/2t	BJ-8-250-0.5/2t T-end foot B8Q-W6	20801260

## Technical Specifications BJ-8-250

Capacity	200kg	0.5t – 2t
Maximum vertical force (down)	3 kN	30 kN
Maximum horizontal force	3 kN	30 kN

## Dimensions in mm



Capacity / Dimension	ØA	ØB	ØC	D	E	F	G
200kg	60	11	20	4	12	20	30 – 37
0.5t – 2t	80	17	30	6.7	16	24	40 – 50

Specifications and dimensions are subject to change without notice and do not constitute any liability whatsoever.