



Short Description

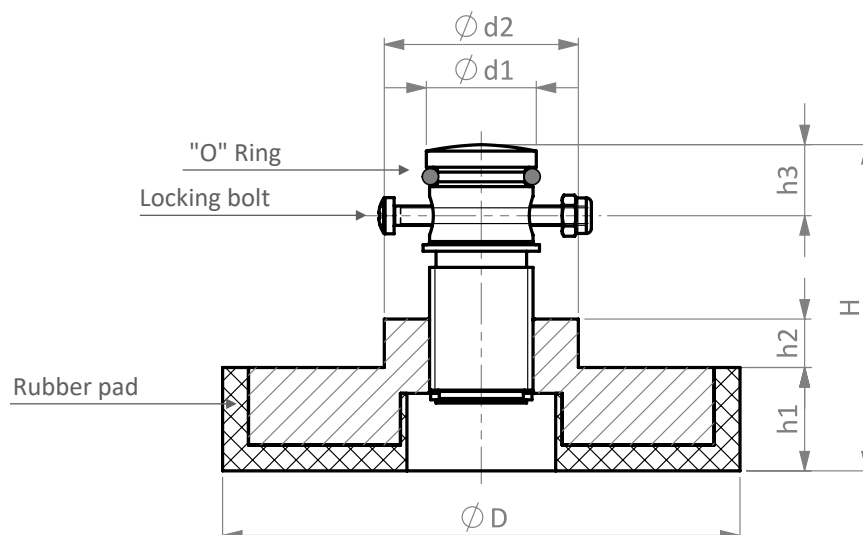
- Height adjustable foot
- Easy installation
- Zinc Plated Alloy Steel
- Can be used with load cell models: H8C-W6, B8D-W6 and BM8D-W6

Available Models

Model	Capacity	Full Article Description	Part Number
HJ-8-236	0.1t – 2t	HJ-8-236-01-0.1t/2t W6 d80 T-Ft H8C	20806520
	0.1t – 2t	HJ-8-236-03-0.1t/2t 60mm H8C-W6	20806540
	2.5t – 5t	HJ-8-236-02-2.5t/5t T-End foot	20806530

Dimensions in mm

Front View



Dimension type	Capacity	ØD	Ød1	Ød2	H	h1	h2	h3
HJ-8-236-01	0.1t – 2t	80	17	30	41 - 50	16	7.5	11
HJ-8-236-03	0.1t – 2t	60	17	30	41 - 50	16	7.5	11
HJ-8-236-02	2.5t – 5t	125	24	45	70 - 91	32	16.5	14

Specifications and dimensions are subject to change without notice and do not constitute any liability whatsoever.