

## Short Description



- Aluminium bending miniature sensor
- High accuracy
- Used for handable scales

## Available Models

Capacity	Accuracy	Full Article Description
20g	0.05%	Q70*5*9-H-20g-0.06X-Q9
30g	0.05%	Q70*5*9-H-30g-0.06X-Q9
50g	0.05%	Q70*5*9-H-50g-0.06X-Q9
100g	0.05%	Q70*5*9-H-100g-0.06X-Q9
200g	0.05%	Q70*5*9-H-200g-0.06X-Q9

Specifications and dimensions are subject to change without notice and do not constitute any liability whatsoever.

## Technical Specifications Q70-5-9-H-xxxg-0.06X-Q9

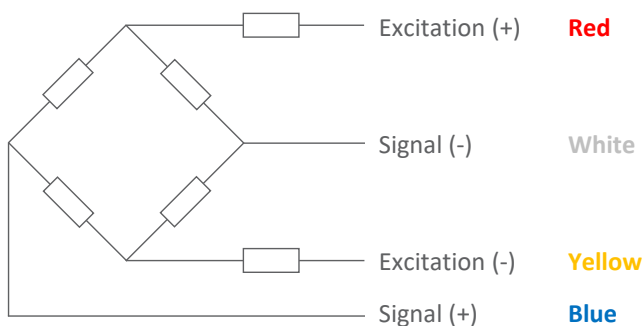
Accuracy Class		0.05%
Output Sensitivity ( = FS )	mV/V	0.5 ± 0.15
Maximum Capacity ( E <sub>max</sub> )	g	20, 30, 50, 100, 200
Combined Error	%FS	≤± 0.05
Creep Error (3 minutes)	%FS	≤± 0.05
Non-Linearity	%FS	±0.05
Repeatability	%FS	±0.05
Hysteresis	%FS	±0.05
Temperature Effect on Zero (ZTC)	%FS/10°C	≤± 2.0
Temperature Effect on Sensitivity (STC)	%FS/10°C	≤± 0.05
Zero Balance	mV/V	≤± 0.5
Safe Overload	%FS	120
Ultimate Overload	%FS	150
Maximum Deflection	mm	0.158
Excitation, Recommended Voltage	V <sub>DC</sub>	2 ~ 5
Excitation, Maximum Voltage	V <sub>DC</sub>	6
Input Resistance	Ω	1055 ± 10
Output Resistance	Ω	1000 ± 10
Insulation Resistance (50V <sub>DC</sub> )	MΩ	≥2000
Operating Temperature	°C	-10 ~ + 40
Storage Temperature	°C	-20 ~ + 65
Sensor Weight	g	20
Element Material		Aluminium
Ingress Protection (acc. to EN 60529)		IP65
Recommended Torque on Fixation Bolts	Nm	M2.5: 0.8

## Wiring

### Features:

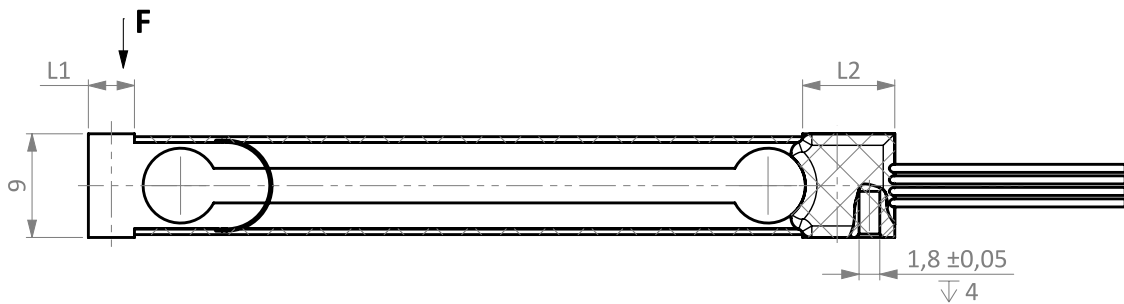
Cable type: 4-conductor dispersion cable , conductor AWG 32  
 Cable diameter: Ø 0.7mm (per conductor)  
 Cable length: L = 0.06m ± 0.01m  
 Cable jacket: PVC

### 4-Wire Connection Diagram

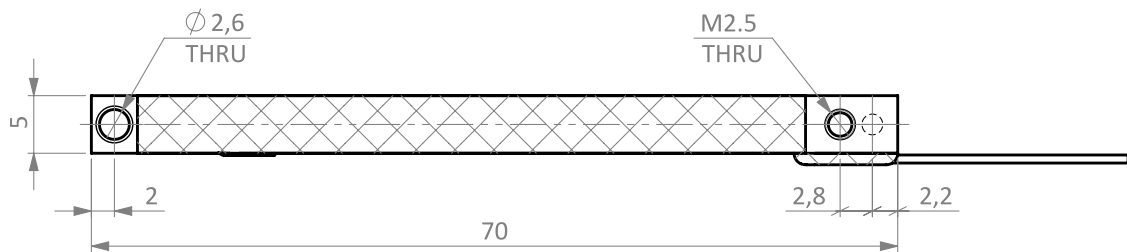


## Dimensions in mm

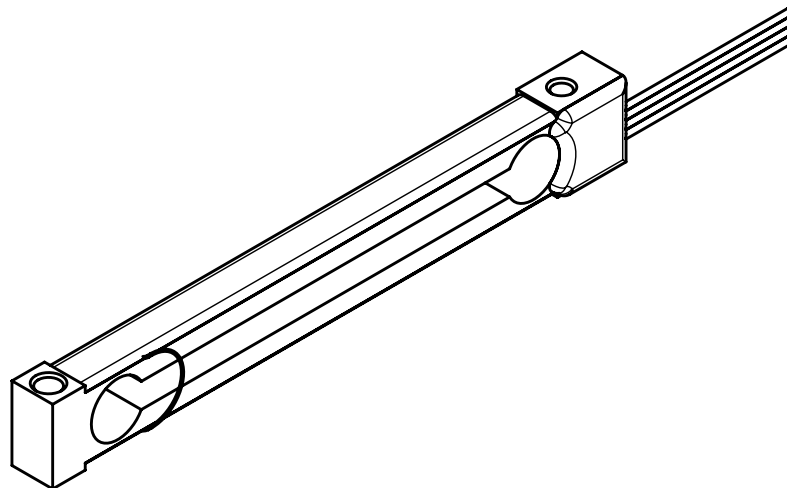
### Front View



### Top View



### Isometric View



Dimension	L1	L2
Capacity		
20g, 30g, 50g, 100g	4	8
200g	8	10