



## Short Description



- Junction Box, fit for 4-wire (and 6-wire) load cells
- Cast aluminium housing
- Easy installation
- Protective coating

## Available Models

| Model | Amount of Connections | Full Article Description | Part Number |
|-------|-----------------------|--------------------------|-------------|
| JB02C | 2                     | JB02C-2                  | 30020100    |
|       | 3                     | JB02C-3                  | 30020200    |
|       | 4                     | JB02C-4                  | 30020300    |
|       | 4                     | JB02C-4-WB (no logo)     | 30020320    |

## Detailed Specifications JB02C

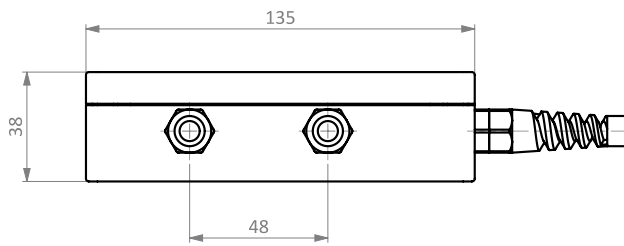
|                                   |                    |                 |
|-----------------------------------|--------------------|-----------------|
| Load Cell Output Resistance Range | $\Omega$           | 340 to 1100     |
| Load Cell Input Resistance Range  | $\Omega$           | 340 to 1100     |
| Excitation, Recommended Voltage   | V(AC&DC)           | 5 to 20         |
| Excitation, Maximum               | V(AC&DC)           | 30              |
| Load Cell Sensitivity Range       | mV/V               | 0.6 – 3         |
| Cable Diameter $\emptyset$        | mm                 | 5 to 6.2        |
| Correction Method                 |                    | Excitation trim |
| Trimming Range                    | $\Omega$           | 24              |
| Temperature Range, Operating      | $^{\circ}\text{C}$ | -40 ~ +85       |
| Ingress Protection                |                    | IP66            |
| Housing Connected to Shield       |                    | Yes             |
| External Grounding                |                    | No              |

Specifications and dimensions are subject to change without notice and do not constitute any liability whatsoever.

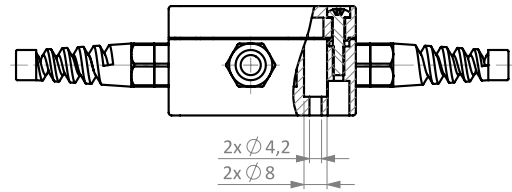
# Type JB02C Junction Box

## Dimensions in mm

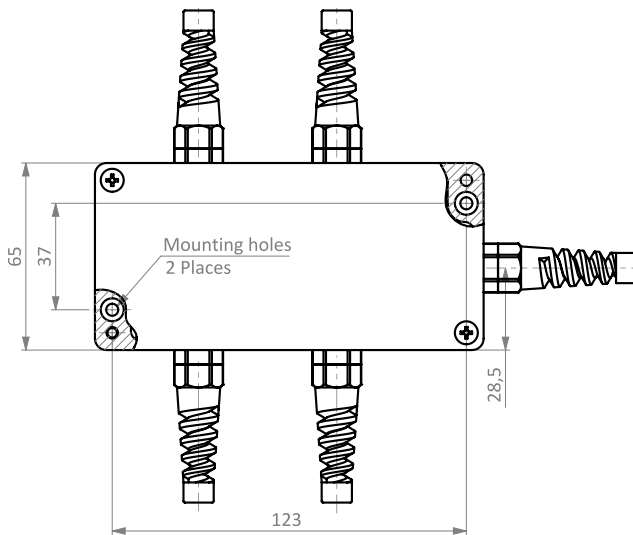
### Front View



### Side View



### Top View



### Connections



### Isometric View

