

Short Description



- Junction box, fit for 4-wire and 6-wire load cells
- Easy installation
- Cast aluminium housing
- Black protective coating

Available Models

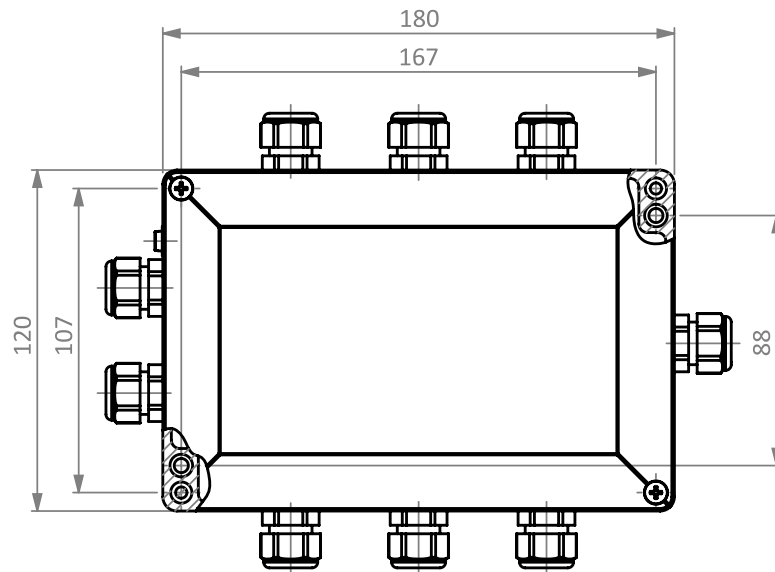
Model	Amount of Connections	Full Article Description	Part Number
JB05A	4	JB05A-4	30050300
	6	JB05A-6	30050400
	8	JB05A-8	30050500

Detailed Specifications JB05A

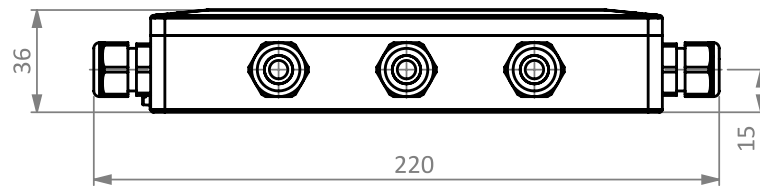
Load Cell Output Resistance Range	Ω	340 to 1100
Load Cell Input Resistance Range	Ω	340 to 1100
Excitation, Recommended Voltage	V(AC&DC)	5 to 17
Excitation, Maximum	V(AC&DC)	18
Load Cell Sensitivity Range	mV/V	0.6 – 3
Cable Diameter \varnothing	mm	4.8 to 8
Correction Method		Signal trim
Temperature Range, Operating	$^{\circ}\text{C}$	-35 ~ +65
Ingress Protection		IP66
Housing Connected to Shield		Yes
External Grounding		Yes

Dimensions in mm

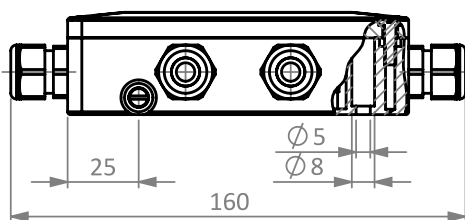
Top View



Front View



Side View



Isometric View

