

## Short Description



- Stainless steel (AISI 304) Junction Box
  - Fit for 4- and 6-wire load cells
  - Easy installation
  - Suitable for ATEX zones 0, 1, 2, 20, 21 and 22
- II 1G Ex ia IIC T4       $-20^{\circ}\text{C} \leq T_{\text{amb}} +60^{\circ}\text{C}$   
 II 1D Ex ta IIc T85°C       $-20^{\circ}\text{C} \leq T_{\text{amb}} +60^{\circ}\text{C}$   
 IECEx (zone 0-1-2-20-21-22)

## Available Models

Capacity	Amount of Connections	Full Article Description	Part Number
JB-CExxATEX	4	JB-CE41ATEX	30080120
	8	JB-CE81ATEX	30080210
	4	JB-CE41PATEX	30080130

## Technical Specifications JB-CExxATEX

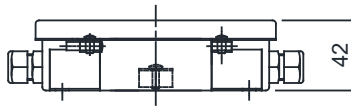
Load Cell Output Resistance Range	$\Omega$	340 to 1100
Load Cell Input Resistance Range	$\Omega$	340 to 1100
Excitation, Recommended Voltage	V(AC&DC)	5 to 15
Excitation, Maximum Voltage	V(AC&DC)	20
Load Cell Sensitivity Range	mV/V	0.6 – 3.5
Cable Diameter $\varnothing$	mm	4 - 8 (CE41ATEX, CE81ATEX)   3 - 6.5 (CE41PATEX)
Correction Method		Excitation trim
Trimming Range	$\Omega$	20
Temperature Range, Operating	$^{\circ}\text{C}$	-20 ~ +60
Ingress Protection		IP67
Housing Connected to Shield		Yes (Ground terminal)
External Grounding		Yes
Outside Dimensions	mm	JB-CE41ATEX: 143 x 144 x 42 JB-CE81ATEX: 200 x 149 x 43 JB-CE41PATEX: 176 x 90 x 42

Specifications and dimensions are subject to change without notice and do not constitute any liability whatsoever.

# Type JB-CExxATEX Junction Box

## Dimensions in mm

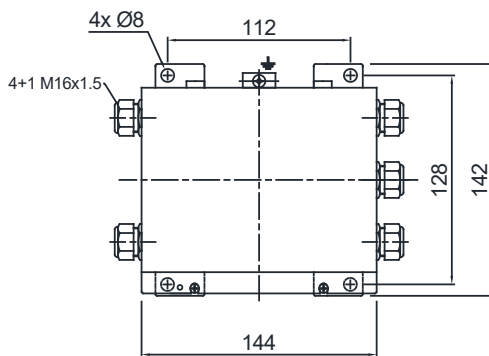
### Front View CE41ATEX



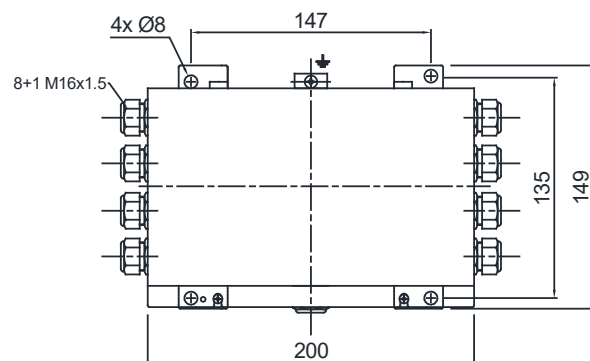
### Front View CE81ATEX



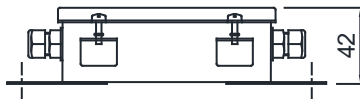
### Top View CE41ATEX



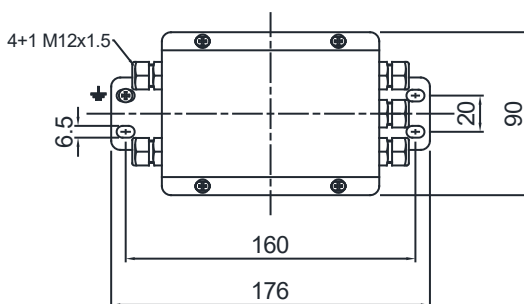
### Top View CE81ATEX



### Front View CE41PATEX

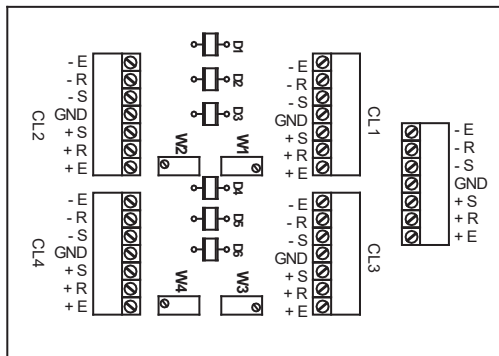


### Top View CE41PATEX

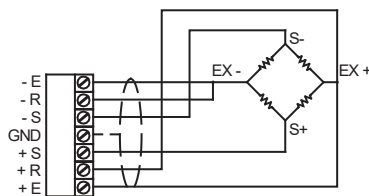


## Wiring

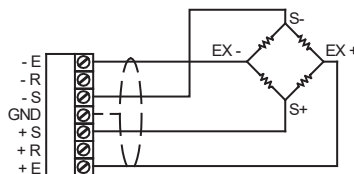
### CE41ATEX



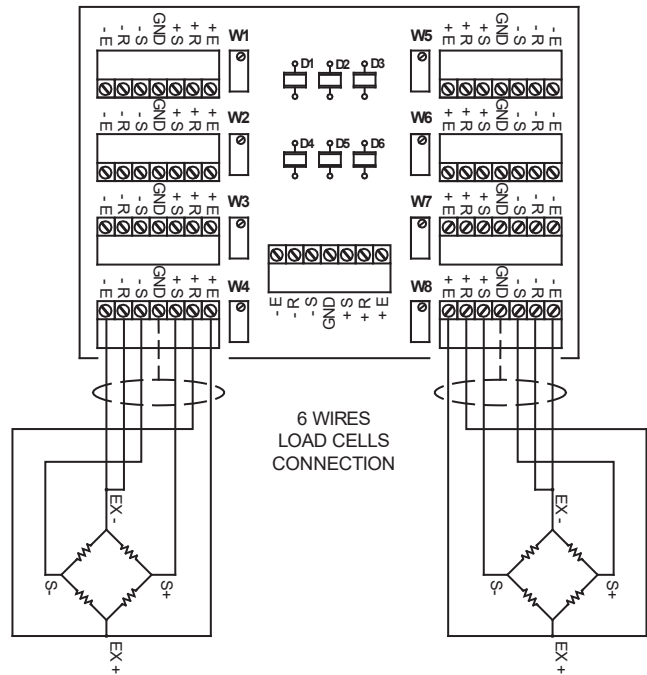
6 WIRES LOAD CELLS CONNECTION



4 WIRES LOAD CELLS CONNECTION



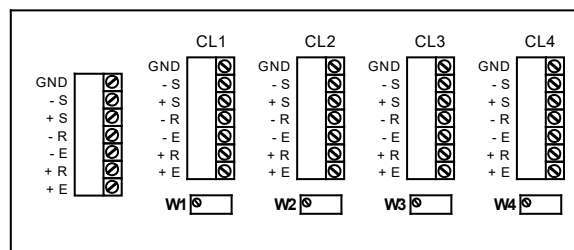
### CE81ATEX



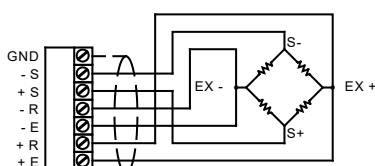
6 WIRES LOAD CELLS CONNECTION

4 WIRES LOAD CELLS CONNECTION

### CE41PATEX



6 WIRES LOAD CELLS CONNECTION



4 WIRES LOAD CELLS CONNECTION

