



## Short Description



- Aluminium micro tension compression sensor
- IP65 Ingress protection
- High precision
- High reliability
- Extremely small footprint
- Suitable for robotics, incl. linear actuators
- Easy integration

Non-OIML approved

## Available Models

Capacity	Accuracy	Full Article Description
100N	0.1%	L24C

## Technical Specifications L24C-0.1-100N

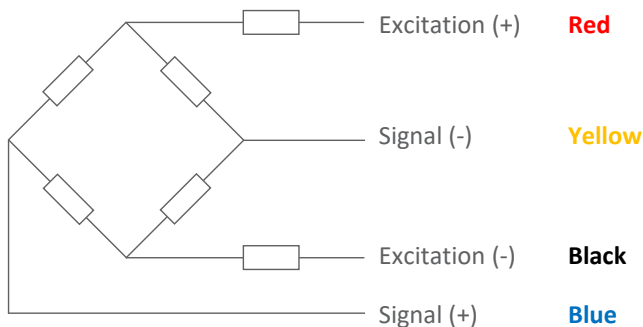
Maximum Capacity ( $E_{max}$ )	N	100
Accuracy Class		0.1%
Output Sensitivity ( = FS )	mV/V	$1.0 \pm 0.1$
Non-Linearity	%FS	$\leq \pm 0.5$
Repeatability	%FS	$\leq \pm 0.1$
Hysteresis	%FS	$\leq \pm 0.5$
Creep Error (10 minutes)	%FS	$\leq \pm 0.2$
Temperature Effect on Zero (ZTC)	%FS/10°C	$\leq \pm 0.5$
Zero Balance	mV/V	$\leq \pm 0.5$
Zero Drift (5 min.)	%FS	$\leq \pm 0.1$
Safe Overload	%FS	120
Ultimate Overload	%FS	150
Excitation, Recommended Voltage	$V_{DC}$	2.5 ~ 5
Excitation, Maximum Voltage	$V_{DC}$	6
Input Resistance	$\Omega$	$1000 \pm 50$
Output Resistance	$\Omega$	$1000 \pm 50$
Insulation Resistance (100V <sub>DC</sub> )	M $\Omega$	$\geq 5000$
Operating Temperature	°C	-10 ~ + 60
Storage Temperature	°C	-35 ~ + 65
Element Material		Aluminium Alloy
Sensor Weight	g	5
Ingress Protection (acc. to EN 60529)		IP65

## Wiring

### Features:

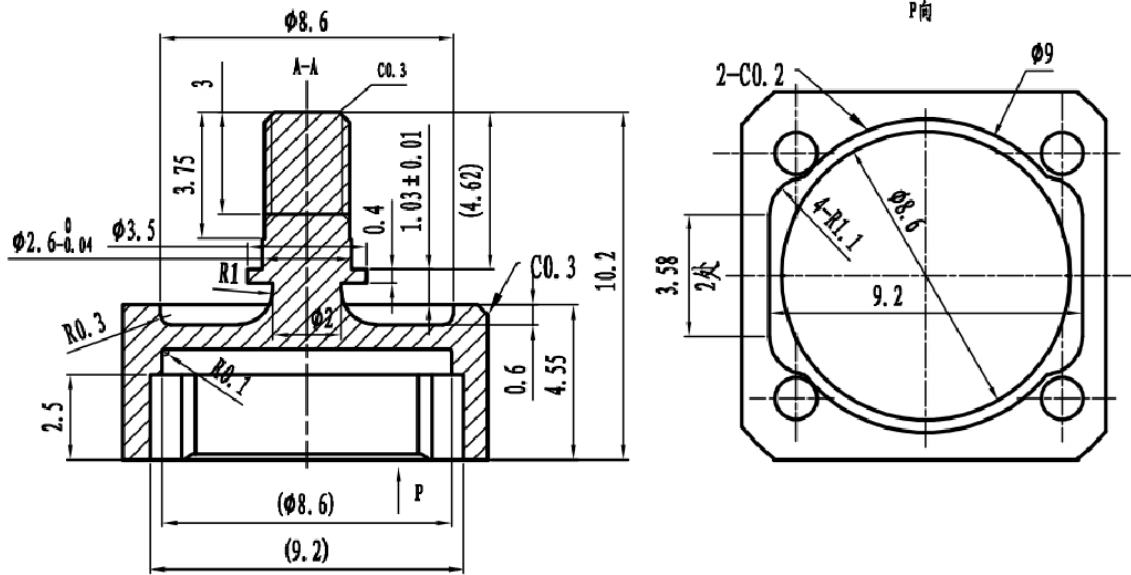
Cable type: 4 separate conductor wires , conductor AWG 30  
 Cable diameter:  $\varnothing$  0.15mm per wire  
 Cable length: 30mm  $\pm$  5mm  
 Cable jacket: varnished wrapped

### 4-Wire Connection Diagram

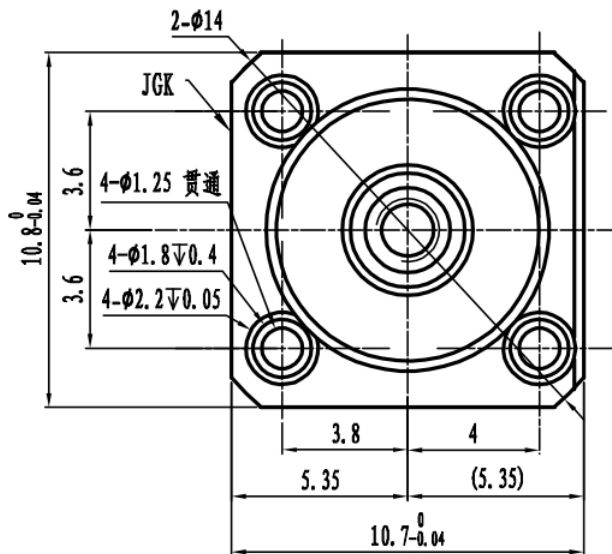


## Dimensions in mm

### Front View



### Top View



### Isometric View

