



Short Description



- Stainless steel IP68 hygienic compression load cell
- EHEDG Certified design, type EL Class I AUX
- Steel type 17-4PH (AISI 630) element and pressure piece
- Easy to clean, aseptic design
- Can be used in environments with high hygienic requirements

Available Models

Capacity	Accuracy	Full Article Description
5t	C1	BM24L10-C1-5t-3B
10t	C1	BM24L10-C1-10t-3B
20t	C1	BM24L10-C1-20t-3B

Specifications and dimensions are subject to change without notice and do not constitute any liability whatsoever.

Technical Specifications BM24L10-C1-xtt-3B

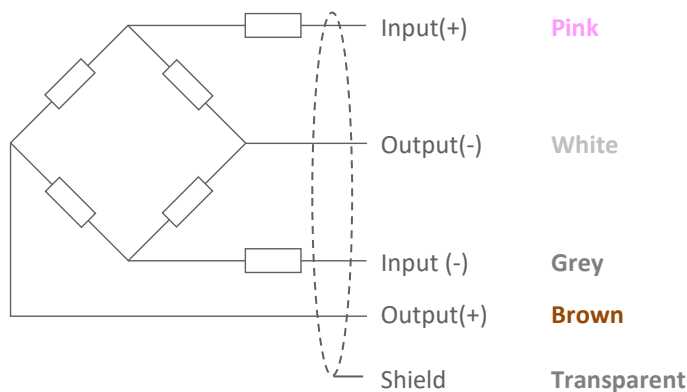
Maximum Capacity (E_{max})	t	5, 10, 20
Output Sensitivity (= FS)	mV/V	2.0 ± 0.01
Accuracy Class		C1
Max. Number of Load Cell Intervals	n_{LC}	1000
Ratio of min. LC Verification Interval	$Y = E_{max} / v_{min}$	10000
Combined Error	%FS	≤± 0.05
Creep Error (30 minutes)	%FS	≤± 0.05
Temperature Effect on Zero (ZTC)	%FS/10°C	≤± 0.014
Temperature Effect on Sensitivity (STC)	%FS/10°C	≤± 0.05
Zero Balance	%FS	≤± 1
Safe Overload	%FS	150
Ultimate Overload	%FS	200
Excitation, Recommended Voltage	V	5 ~ 12
Excitation, Maximum Voltage	V	18
Input Resistance	Ω	700 ± 7
Output Resistance	Ω	700 ± 5
Insulation Resistance (50V)	MΩ	≥5000
Compensated Temperature	°C	-10 ~ + 40
Operating Temperature	°C	-35 ~ + 70
Storage Temperature	°C	-40 ~ + 70
Load Cell Weight	kg	2.9
Element Material		Stainless Steel 17-4PH (AISI 630)
Ingress Protection (acc. to EN 60529)		IP68
Recommended Torque on Fixation Bolts	Nm	5t / 10t M10: 50 20t M10: 92

Wiring

Features:

Cable type: Shielded, 4 conductor cable, conductor AWG 24
 Cable diameter: Ø 6.2mm
 Cable length: L= 3.0m ± 0.1m
 Cable jacket: Polyurethane
 Shield not connected to element

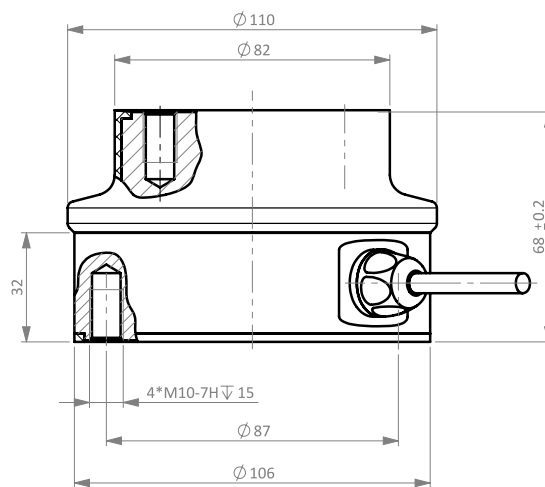
4-Wire Connection Diagram



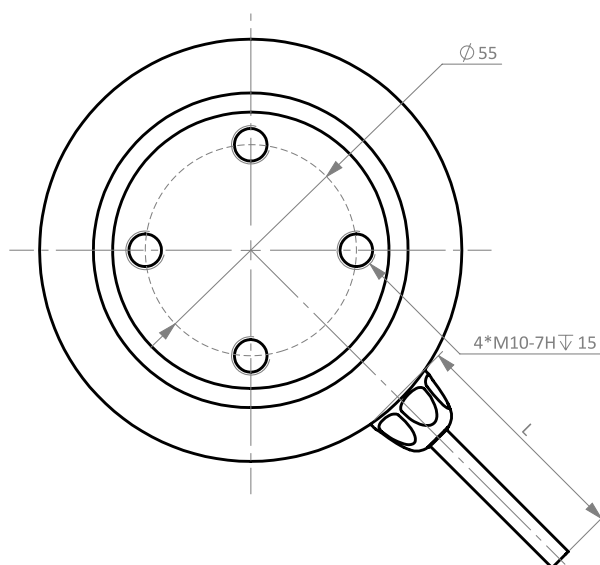
Type BM24L10 EHEDG Load Cell

Dimensions in mm

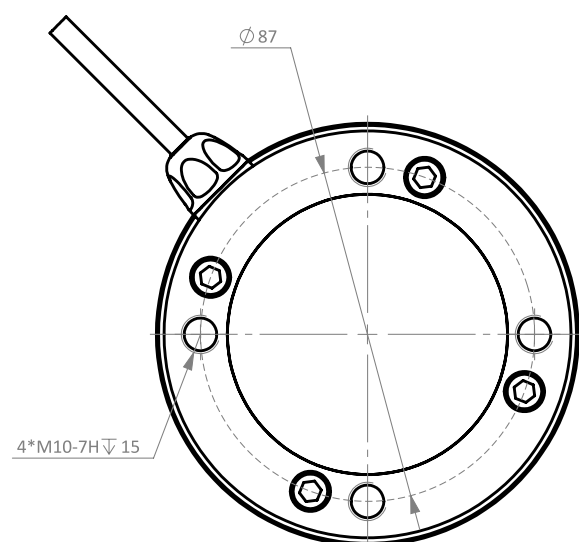
Front View



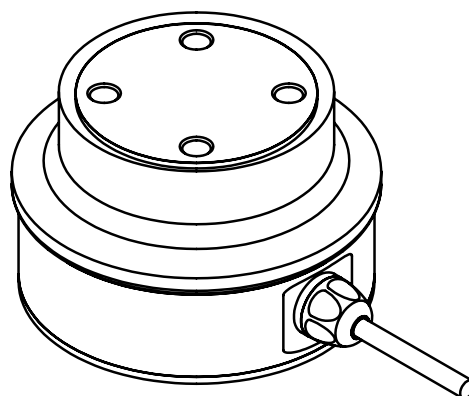
Top View



Bottom View



Isometric View



Specifications and dimensions are subject to change without notice and do not constitute any liability whatsoever.