

Short Description

- Stainless steel type 1.4301 (304) Load Cell Mounting Set
- Easy installation; complete kit with load cell dummy, pressure piece and transport plate
- Self-centering of the load cell by adjustable eccentric discs
- Suitable for large containers, tanks & silos
- To be used with load cell models BM24R-10t & -13t
- Optional stay-rod available for absorption of side forces
- Mount delivered without a working load cell; this part needs to be ordered separately

Available Models

Model	Capacity	Full Article Description	Part Number
BM-24-902	10t / 13t	BM-24-902-10/13t tankmount	22400505
	10t / 13t	BM-24-902-10/13t tankmount+stay rod	22400506

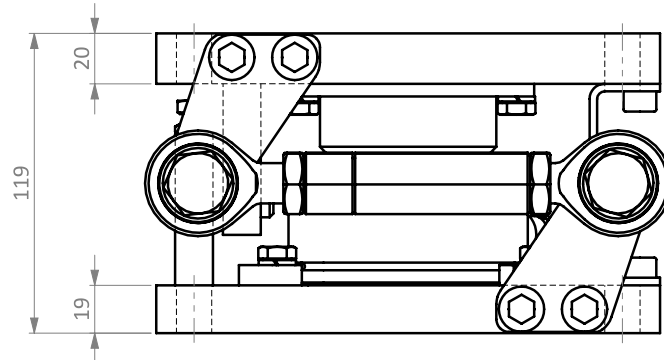
Technical Specifications BM-24-902

Capacity with loadcell	10t, 13t
Maximum vertical force (down) with load cell dummy	70 kN
Maximum vertical force (up)	25 kN
Maximum horizontal force (with stay rod installed)	20 kN
Maximum horizontal movement	± 2 mm
Installation height	119 mm
Working height	119 mm

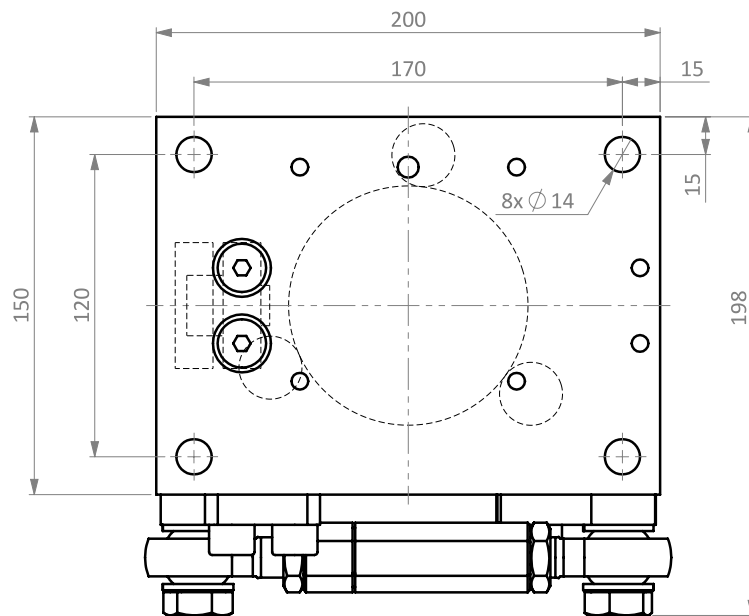
Note: Expressed maximum forces refer to this mount, with load cell installed.

Dimensions in mm

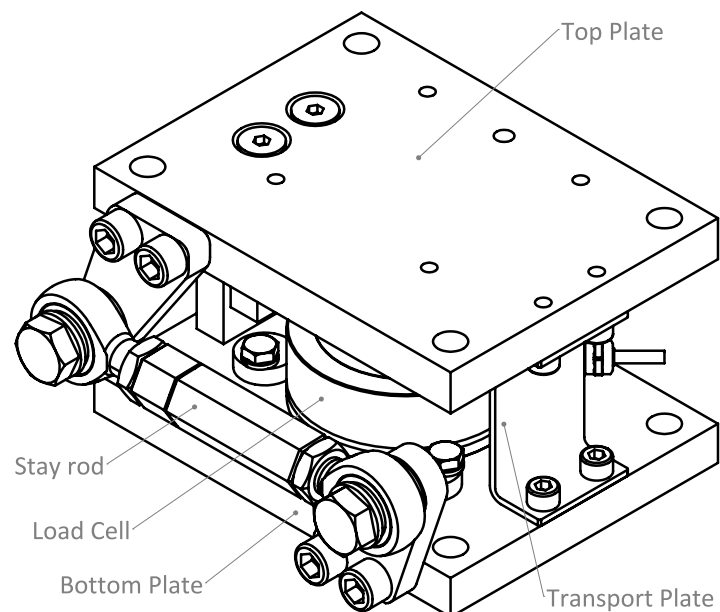
Front View



Top View



Isometric View



Specifications and dimensions are subject to change without notice and do not constitute any liability whatsoever.