



Short Description

UK
CA C E RoHS
Compliant

- Height adjustable foot
- Easy installation
- Stainless steel, electro-polished
- Can be used with load cell models: B8D, BM8D, B8Q, HM8C* and H8C*

Available Models

Model	Capacity	Full Article Description	Part Number
BJ-8-279	0.5t – 2t	BJ-8-279-0.5t/2t SS Epolished	20801520
	2.5t – 5t	BJ-8-279-2.5t/5t SS Epolished	20801530

Detailed Specifications BJ-8-279

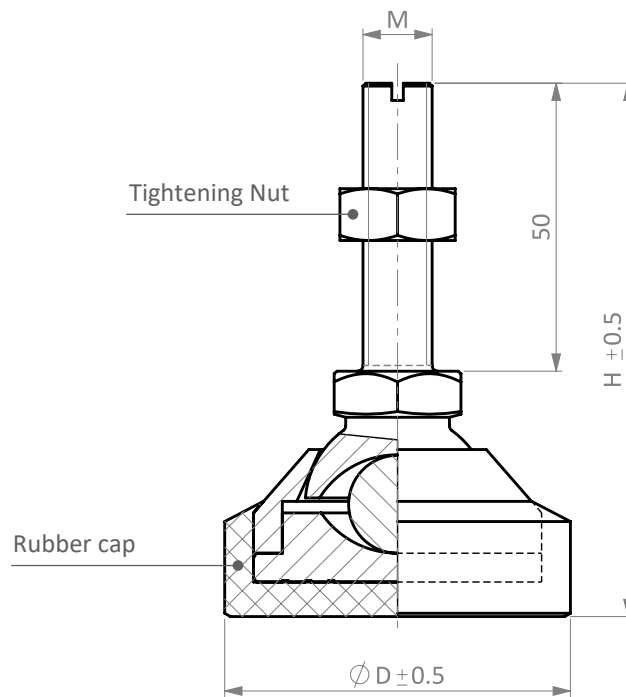
Capacity	0.5t – 2t	2.5t – 5t
Maximum vertical force (down)	30 kN	70 kN
Maximum horizontal movement	+1 / -1 mm	

* **Note:** Load cells HM8C and H8C are only supported up to 2t (due to M12 threading).

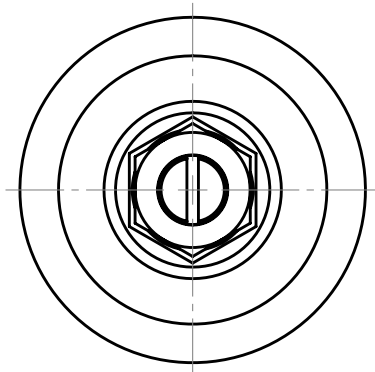
Specifications and dimensions are subject to change without notice and do not constitute any liability whatsoever.

Dimensions in mm

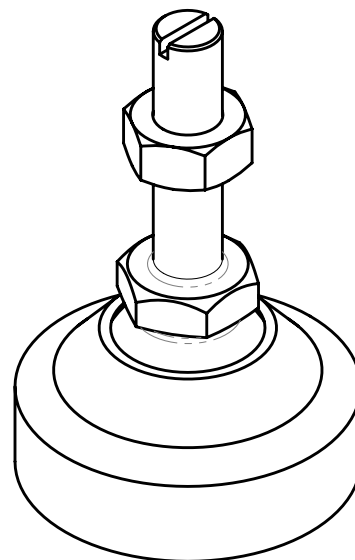
Side View



Top View



Isometric View



Dimension Type	Capacity	ØD	H	M
BJ-8-279	0.5t – 2t	60	92	M12 x 1.75
	2.5t – 5t	80	105	M20 x 2.5